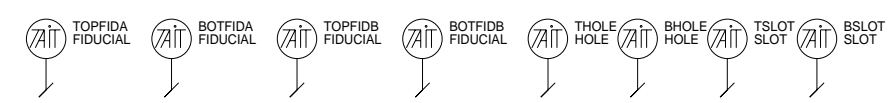
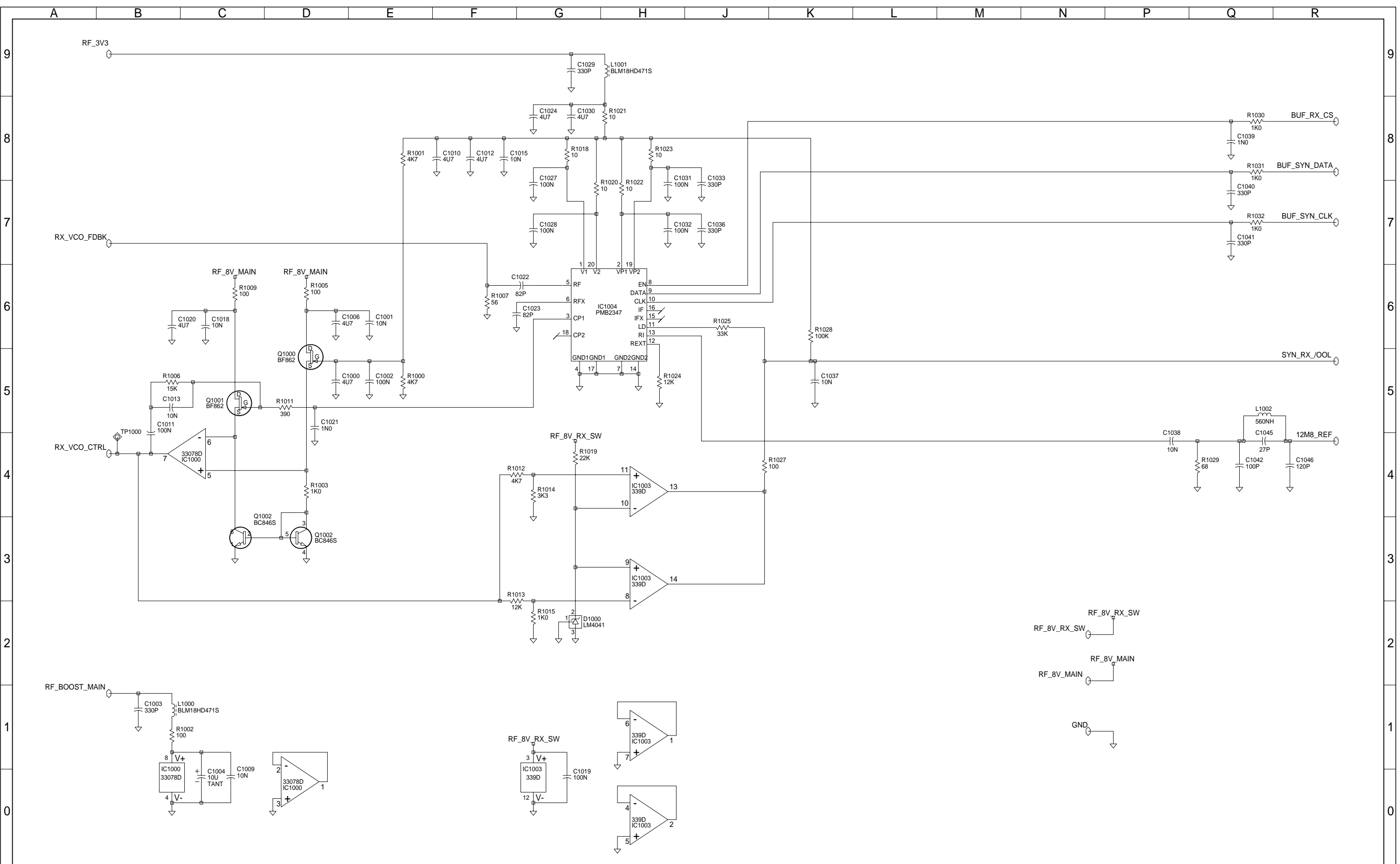


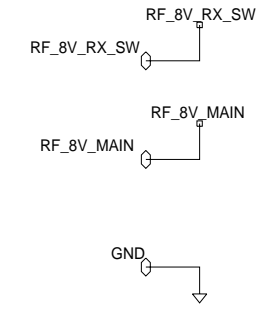
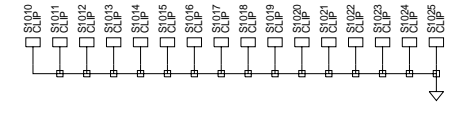
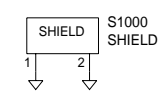
05A	DCO	02025-005	CJK	SH		06/03/03
04A	DCO	02025-004	CJK	SH		28/11/02
03A	DCO	02025-002 & 003	CJK	SH		17/10/02
02A	DCO	02025-001	CJK	SH		30/08/02
01B	SCHEMATICS REDRAWN		PAUL G			20/6/02
01A	CLONED FROM 226-00252-01		PAUL G			12/06/02
REV/ISS	AMENDMENTS		DRAWN	CHKD	D.O.	APVD DATE



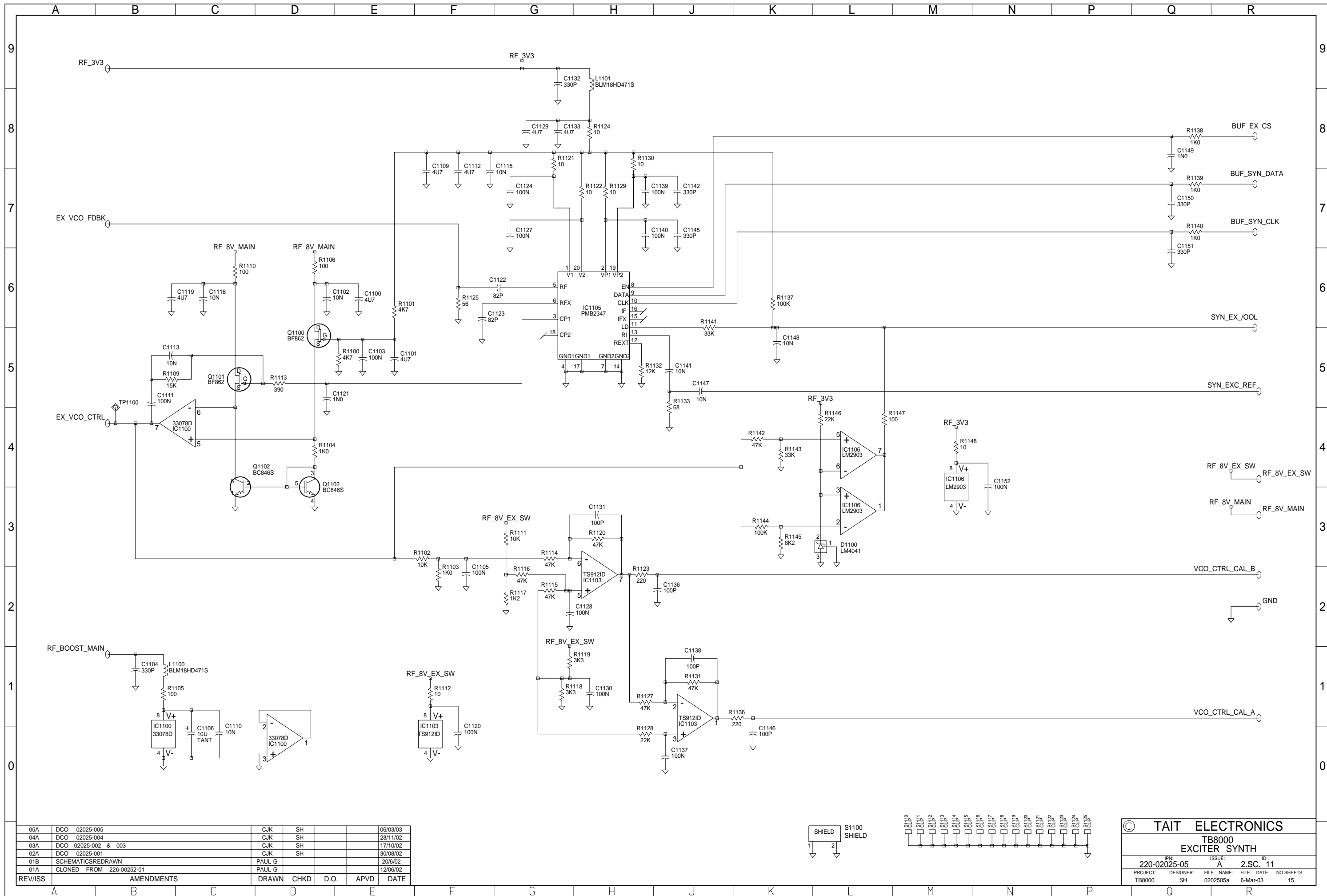
© TAIT ELECTRONICS  
 TB8000  
 RECITER TOP LEVEL  
 IPN: 220-02025-05 ISSUE: A ID: 2.S.C. 1  
 PROJECT: TB8000 DESIGNER: SH FILE NAME: 0202505a FILE DATE: 6-Mar-03 NO. SHEETS: 15



05A	DCO	02025-005	CJK	SH		06/03/03
04A	DCO	02025-004	CJK	SH		28/11/02
03A	DCO	02025-002 & 003	CJK	SH		17/10/02
02A	DCO	02025-001	CJK	SH		30/08/02
01B	SCHEMATICS	REDRAWN	PAUL G			20/6/02
01A	CLONED FROM	226-00252-01	PAUL G			12/06/02
REV/ISS	AMENDMENTS		DRAWN	CHKD	D.O.	APVD DATE

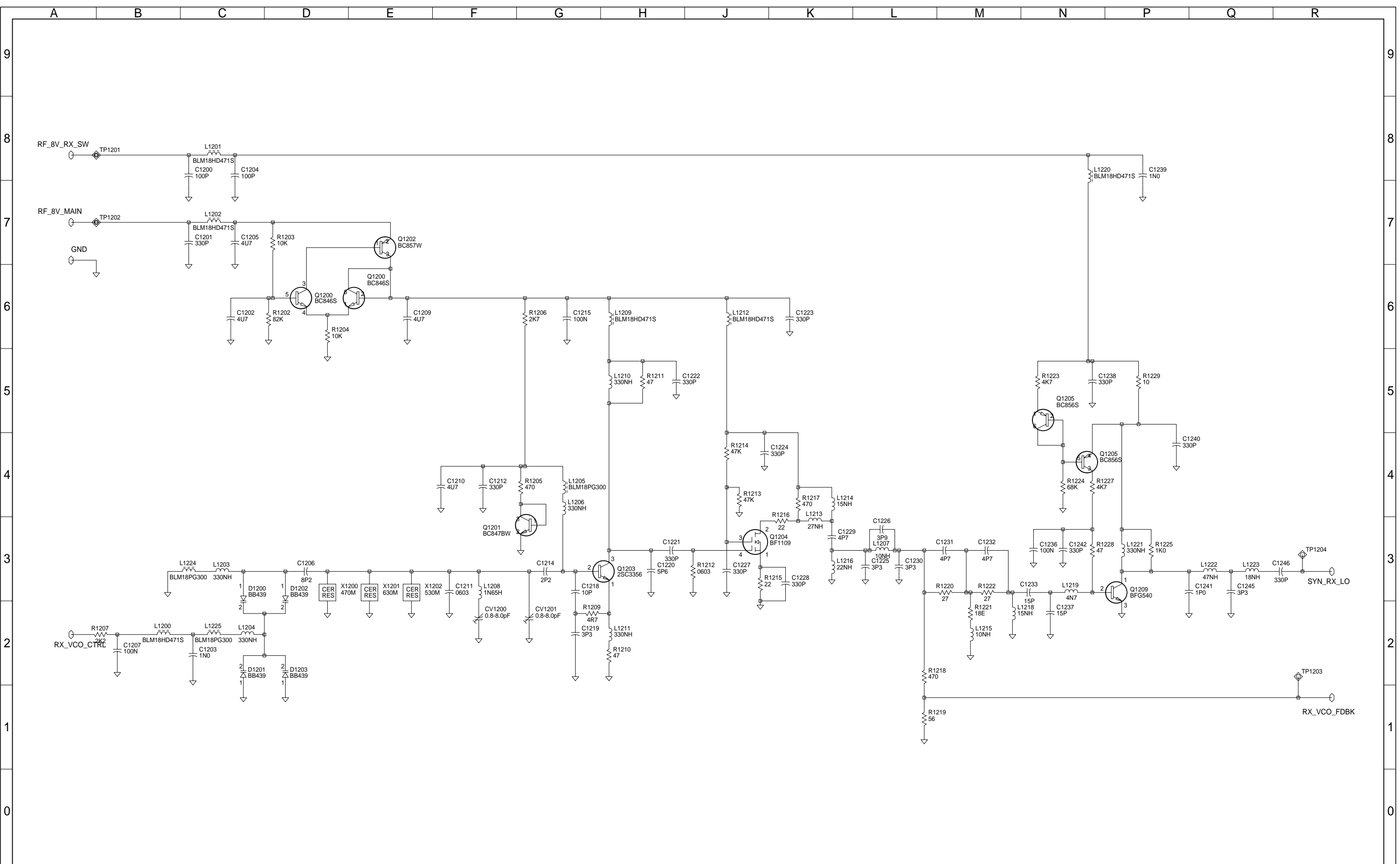


© TAIT ELECTRONICS  
 TB8000  
 RECEIVER SYNTH  
 IPN: 220-02025-05 ISSUE: A 2.SC. 10 ID:  
 PROJECT: TB8000 DESIGNER: SH FILE NAME: 0202505a FILE DATE: 6-Mar-03 NO.SHEETS: 15

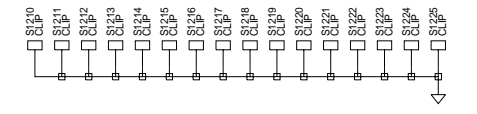
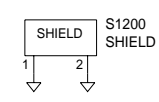


05A	DCO	02025-005	CJK	SH		06/03/03
04A	DCO	02025-004	CJK	SH		28/11/02
03A	DCO	02025-002 & 003	CJK	SH		17/10/02
02A	DCO	02025-001	CJK	SH		30/08/02
01B	SCHEMATICS REDRAWN		PAUL G			20/06/02
01A	CLONED FROM 226-00252-01		PAUL G			12/06/02
REV/ISS	AMENDMENTS		DRAWN	CHKD	D.O.	APVD DATE

© TAIT ELECTRONICS  
**TB8000**  
**EXCITER SYNTH**  
 IPN: 220-02025-05 ISSUE: A ID: 2.SC. 11  
 PROJECT: TB8000 DESIGNER: SH FILE NAME: 0202505a FILE DATE: 6-Mar-03 NO. SHEETS: 15



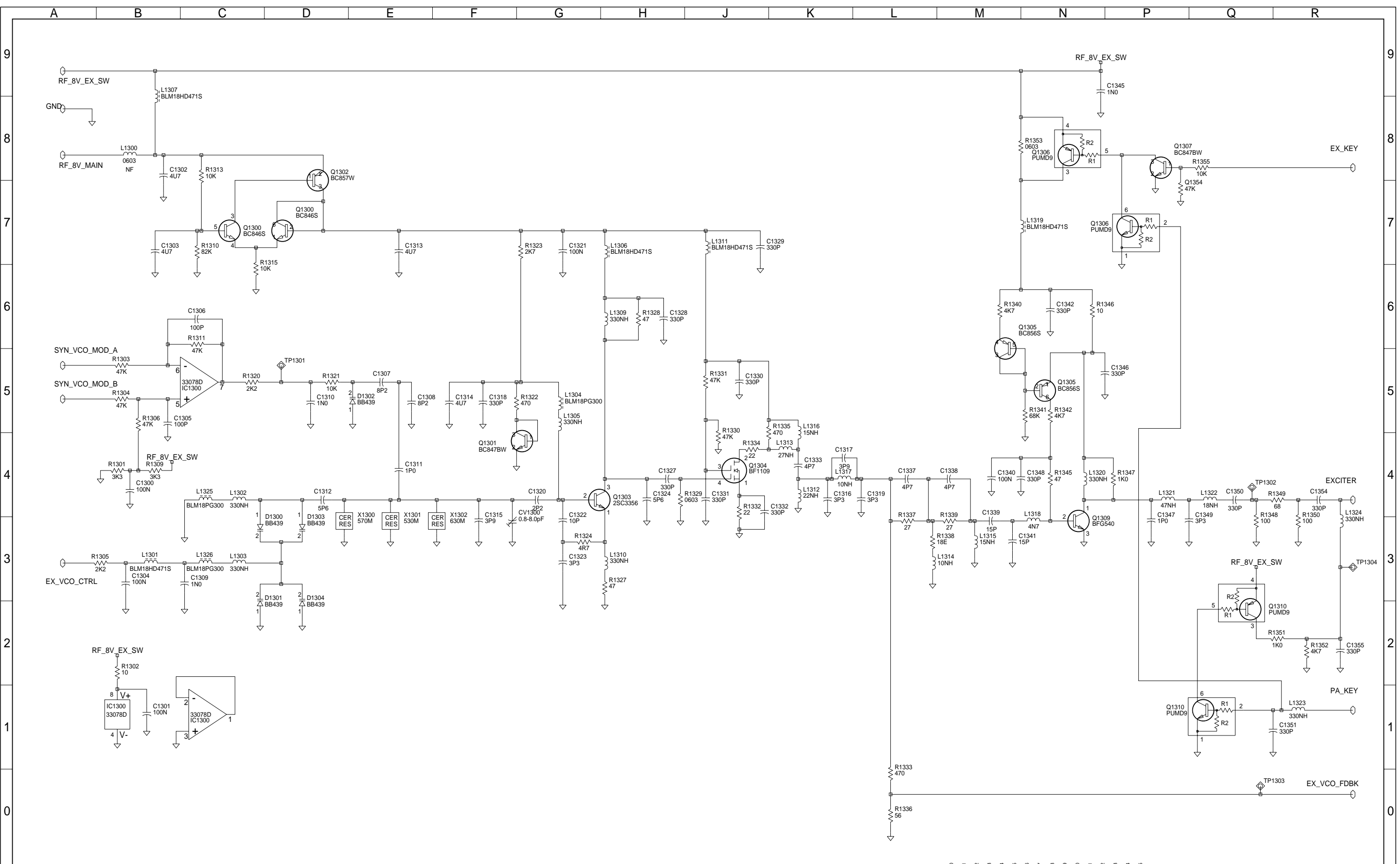
05A	DCO	02025-005	CJK	SH		06/03/03
04A	DCO	02025-004	CJK	SH		28/11/02
03A	DCO	02025-002 & 003	CJK	SH		17/10/02
02A	DCO	02025-001	CJK	SH		30/08/02
01B	SCHEMATICS	REDRAWN	PAUL G			20/06/02
01A	CLONED FROM	226-00252-01	PAUL G			12/06/02
REV/ISS	AMENDMENTS		DRAWN	CHKD	D.O.	APVD DATE



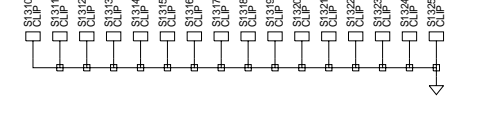
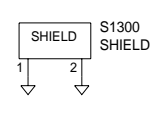
© TAIT ELECTRONICS  
 TB8000  
 RECEIVER VCO

IPN: 220-02025-05    ISSUE: A    ID: 2.SC.12

PROJECT: TB8000    DESIGNER: SH    FILE NAME: 0202505a    FILE DATE: 6-Mar-03    NO. SHEETS: 15



05A	DCO	02025-005	CJK	SH		06/03/03
04A	DCO	02025-004	CJK	SH		28/11/02
03A	DCO	02025-002 & 003	CJK	SH		17/10/02
02A	DCO	02025-001	CJK	SH		30/08/02
01B	SCHEMATICS	REDRAWN	PAUL G			20/6/02
01A	CLONED FROM	226-00252-01	PAUL G			12/06/02
REV/ISS	AMENDMENTS		DRAWN	CHKD	D.O.	APVD DATE

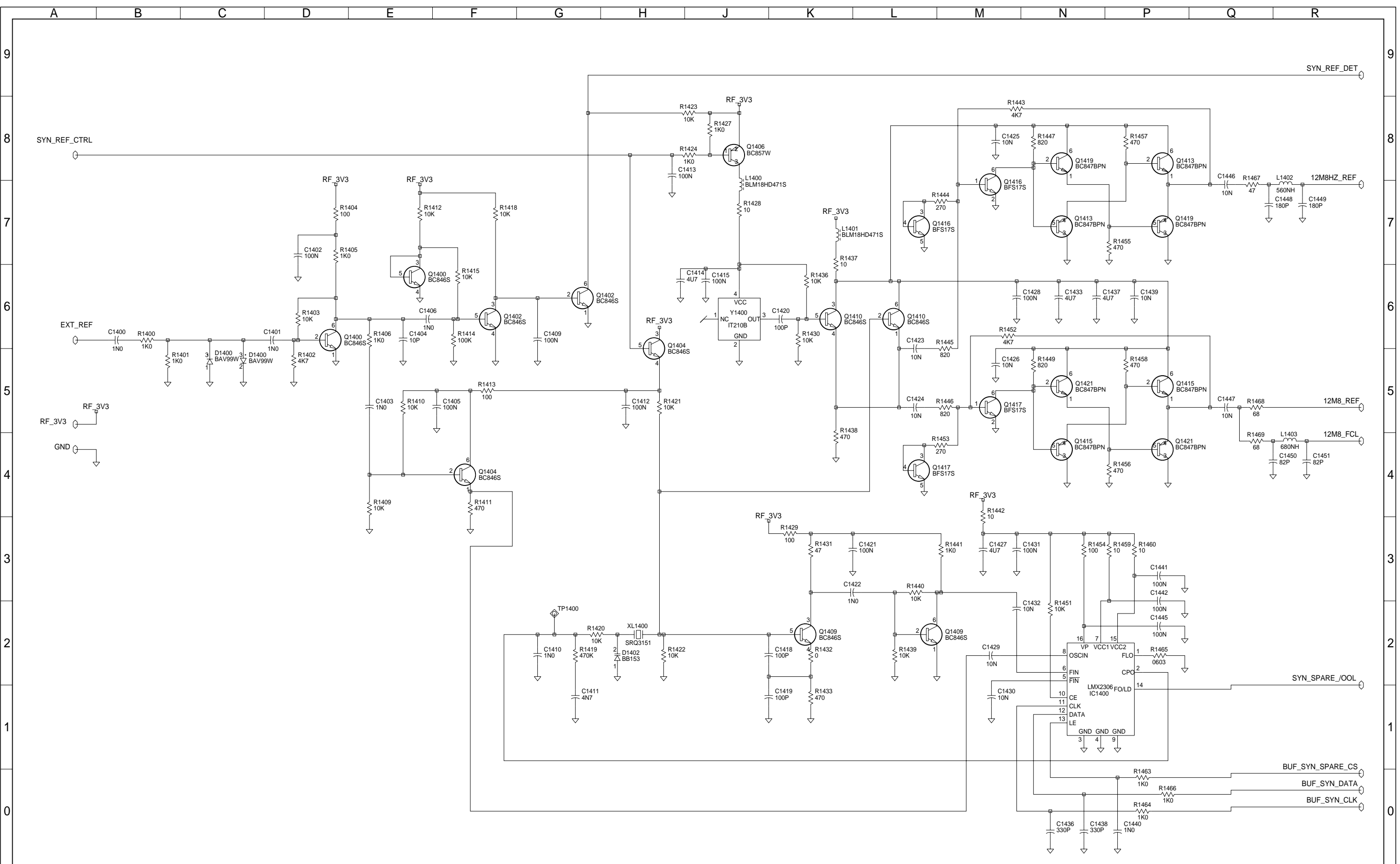


© TAIT ELECTRONICS

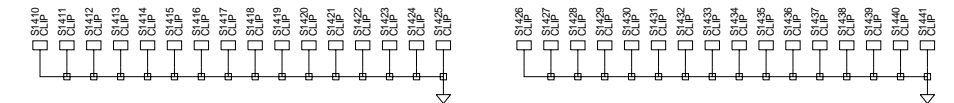
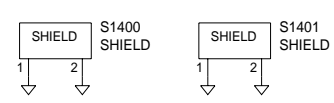
TB8000  
EXCITER VCO

IPN: 220-02025-05    ISSUE: A    ID: 2.SC. 13

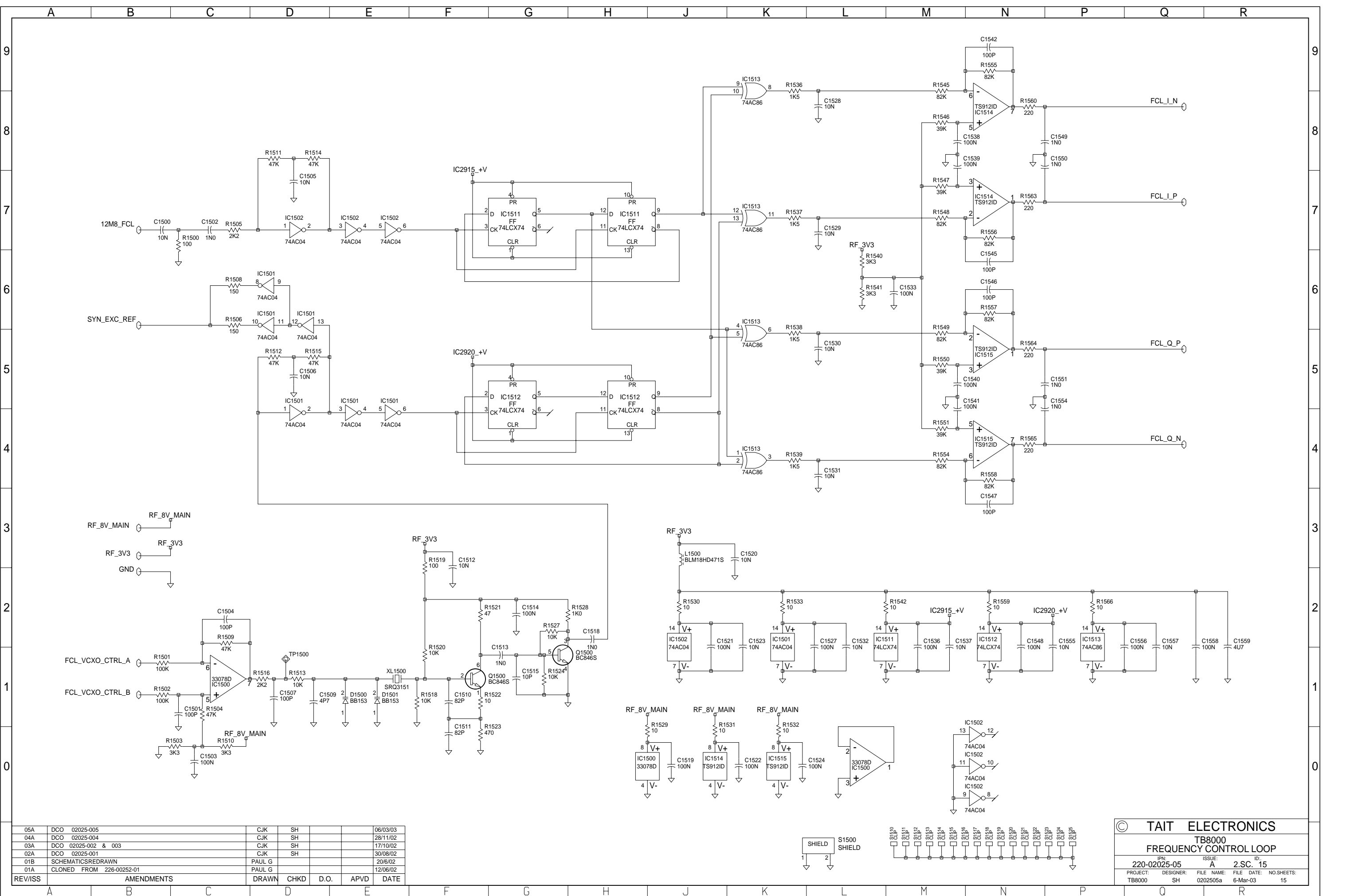
PROJECT: TB8000    DESIGNER: SH    FILE NAME: 0202505a    FILE DATE: 6-Mar-03    NO.SHEETS: 15



05A	DCO	02025-005	CJK	SH		06/03/03
04A	DCO	02025-004	CJK	SH		28/11/02
03A	DCO	02025-002 & 003	CJK	SH		17/10/02
02A	DCO	02025-001	CJK	SH		30/08/02
01B	SCHEMATICS REDRAWN		PAUL G			20/06/02
01A	CLONED FROM 226-00252-01		PAUL G			12/06/02
REV/ISS	AMENDMENTS		DRAWN	CHKD	D.O.	APVD DATE

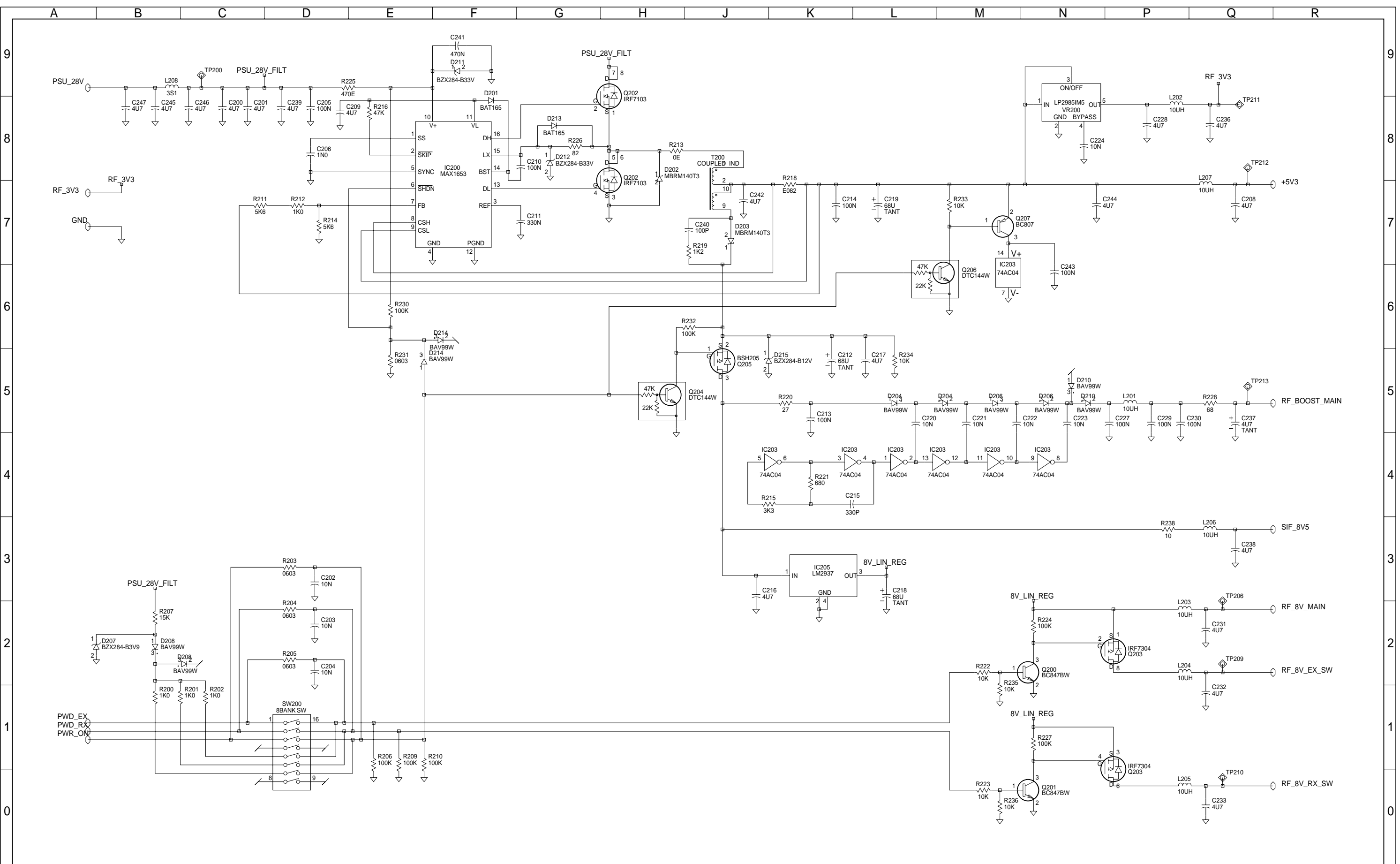


© TAIT ELECTRONICS  
**TB8000**  
**EXTERNAL REFERENCE**  
 IPN: 220-02025-05 ISSUE: A ID: 2.SC. 14  
 PROJECT: TB8000 DESIGNER: SH FILE NAME: 0202505a FILE DATE: 6-Mar-03 NO. SHEETS: 15



05A	DCO 02025-005	CJK	SH	06/03/03		
04A	DCO 02025-004	CJK	SH	28/11/02		
03A	DCO 02025-002 & 003	CJK	SH	17/10/02		
02A	DCO 02025-001	CJK	SH	30/08/02		
01B	SCHEMATICS REDRAWN	PAUL G		20/06/02		
01A	CLONED FROM 226-00252-01	PAUL G		12/06/02		
REV/ISS	AMENDMENTS	DRAWN	CHKD	D.O.	APVD	DATE

© TAIT ELECTRONICS  
 TB8000  
 FREQUENCY CONTROL LOOP  
 IPN: 220-02025-05 ISSUE: A 2.S.C. 15  
 PROJECT: TB8000 DESIGNER: SH FILE NAME: 0202505a FILE DATE: 6-Mar-03 NO.SHEETS: 15



05A	DCO	02025-005	CJK	SH		06/03/03
04A	DCO	02025-004	CJK	SH		28/11/02
03A	DCO	02025-002 & 003	CJK	SH		17/10/02
02A	DCO	02025-001	CJK	SH		30/08/02
01B	SCHEMATICS REDRAWN		PAUL G			20/6/02
01A	CLONED FROM 226-00252-01		PAUL G			12/06/02
REV/ISS	AMENDMENTS		DRAWN	CHKD	D.O.	APVD DATE

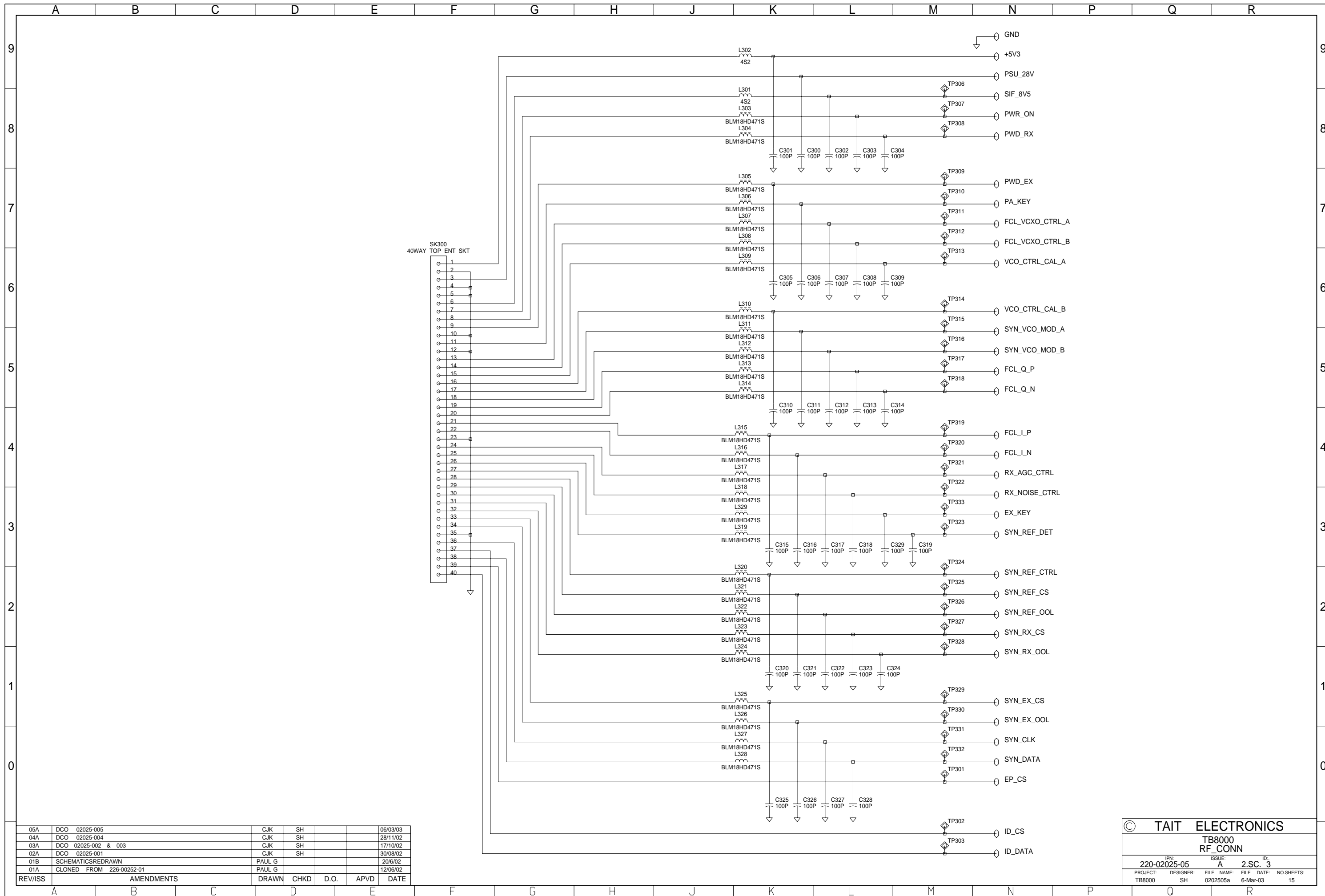
© TAIT ELECTRONICS

**TB8000  
POWERSUPPLY**

IPN: 220-02025-05    ISSUE: A    ID: 2.SC. 2

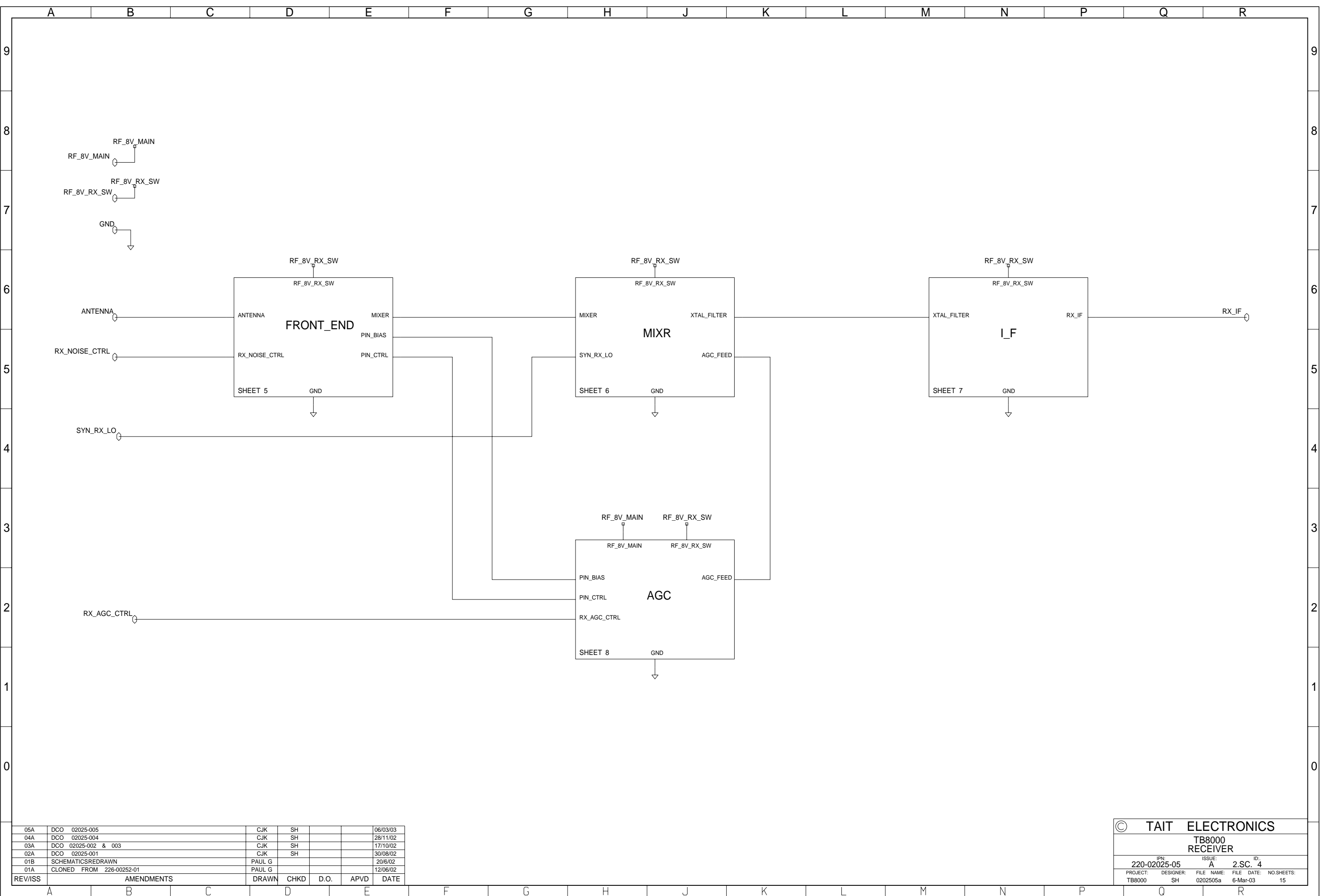
PROJECT: TB8000    DESIGNER: SH    FILE NAME: 0202505a    FILE DATE: 6-Mar-03    NO.SHEETS: 15





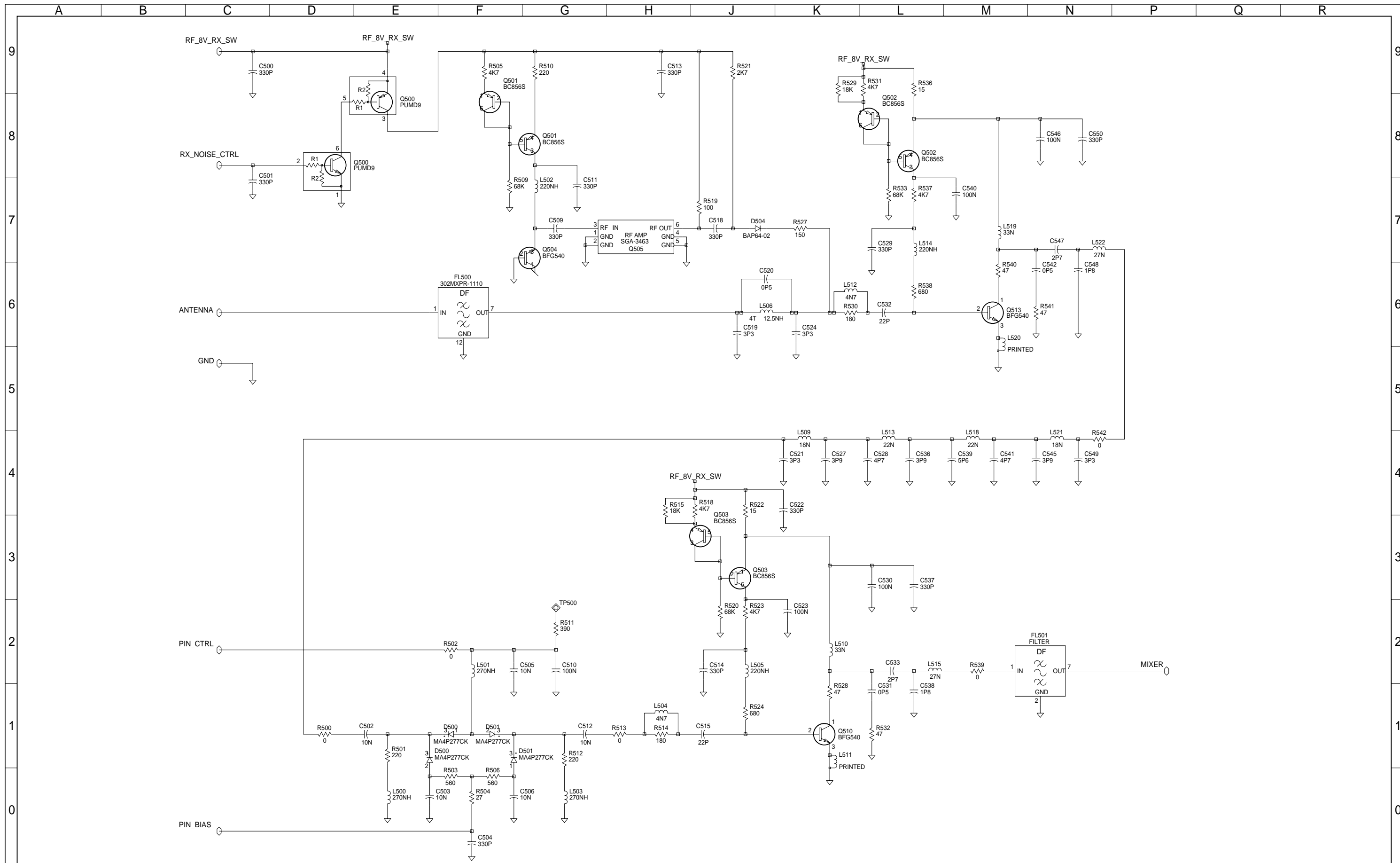
05A	DCO 02025-005	CJK	SH		06/03/03
04A	DCO 02025-004	CJK	SH		28/11/02
03A	DCO 02025-002 & 003	CJK	SH		17/10/02
02A	DCO 02025-001	CJK	SH		30/08/02
01B	SCHEMATICS REDRAWN	PAUL G			20/06/02
01A	CLONED FROM 226-00252-01	PAUL G			12/06/02
REV/ISS	AMENDMENTS	DRAWN	CHKD	D.O.	APVD DATE

© TAIT ELECTRONICS  
 TB8000  
 RF\_CONN  
 IPN: 220-02025-05 ISSUE: A ID: 2.S.C. 3  
 PROJECT: TB8000 DESIGNER: SH FILE NAME: 0202505a FILE DATE: 6-Mar-03 NO. SHEETS: 15

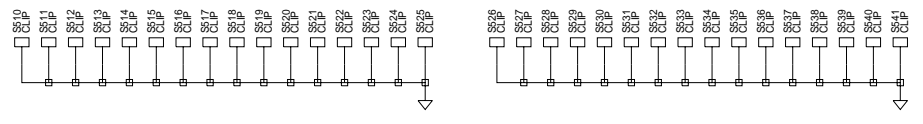
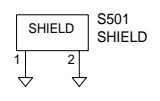
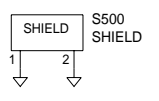


05A	DCO	02025-005	CJK	SH		06/03/03
04A	DCO	02025-004	CJK	SH		28/11/02
03A	DCO	02025-002 & 003	CJK	SH		17/10/02
02A	DCO	02025-001	CJK	SH		30/08/02
01B	SCHEMATICS REDRAWN		PAUL G			20/6/02
01A	CLONED FROM 226-00252-01		PAUL G			12/06/02
REV/ISS	AMENDMENTS		DRAWN	CHKD	D.O.	APVD DATE

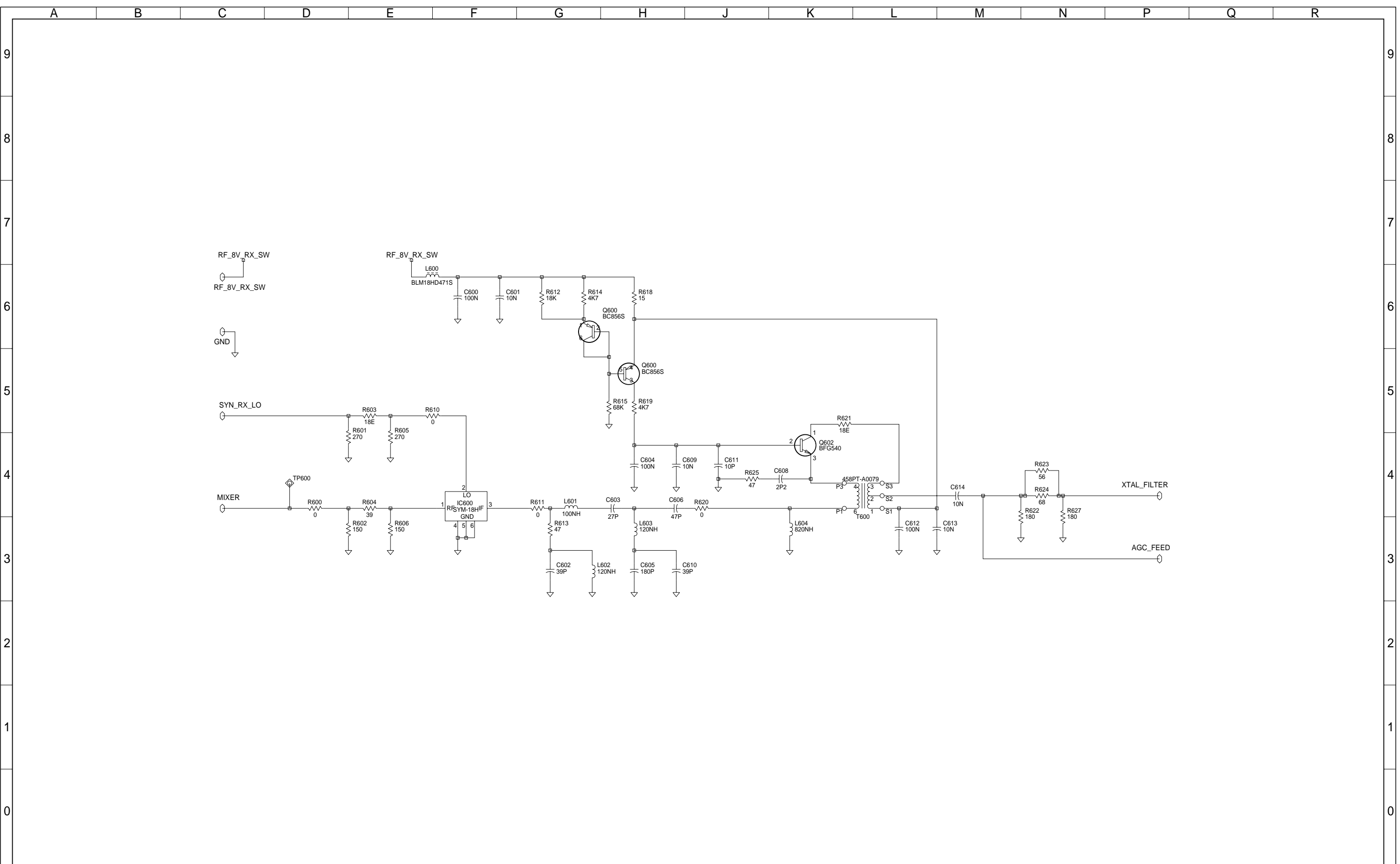
© TAIT ELECTRONICS					
TB8000 RECEIVER					
IPN:	ISSUE:	ID:			
220-02025-05	A	2.SC. 4			
PROJECT:	DESIGNER:	FILE NAME:	FILE DATE:	NO.SHEETS:	
TB8000	SH	0202505a	6-Mar-03	15	



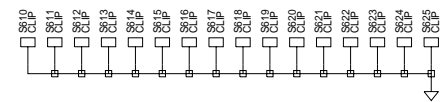
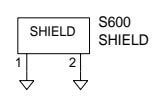
05A	DCO	02025-005	CJK	SH		06/03/03
04A	DCO	02025-004	CJK	SH		28/11/02
03A	DCO	02025-002 & 003	CJK	SH		17/10/02
02A	DCO	02025-001	CJK	SH		30/08/02
01B	SCHEMATICS REDRAWN		PAUL G			20/06/02
01A	CLONED FROM 226-00252-01		PAUL G			12/06/02
REV/ISS	AMENDMENTS		DRAWN	CHKD	D.O.	APVD DATE



© TAIT ELECTRONICS  
**TB8000 FRONT END**  
 IPN: 220-02025-05 ISSUE: A 2.S.C. 5 ID:  
 PROJECT: TB8000 DESIGNER: SH FILE NAME: 0202505a FILE DATE: 6-Mar-03 NO. SHEETS: 15



05A	DCO	02025-005	CJK	SH		06/03/03
04A	DCO	02025-004	CJK	SH		28/11/02
03A	DCO	02025-002 & 003	CJK	SH		17/10/02
02A	DCO	02025-001	CJK	SH		30/08/02
01B	SCHEMATICS REDRAWN		PAUL G			20/6/02
01A	CLONED FROM 226-00252-01		PAUL G			12/06/02
REV/ISS	AMENDMENTS		DRAWN	CHKD	D.O.	APVD DATE

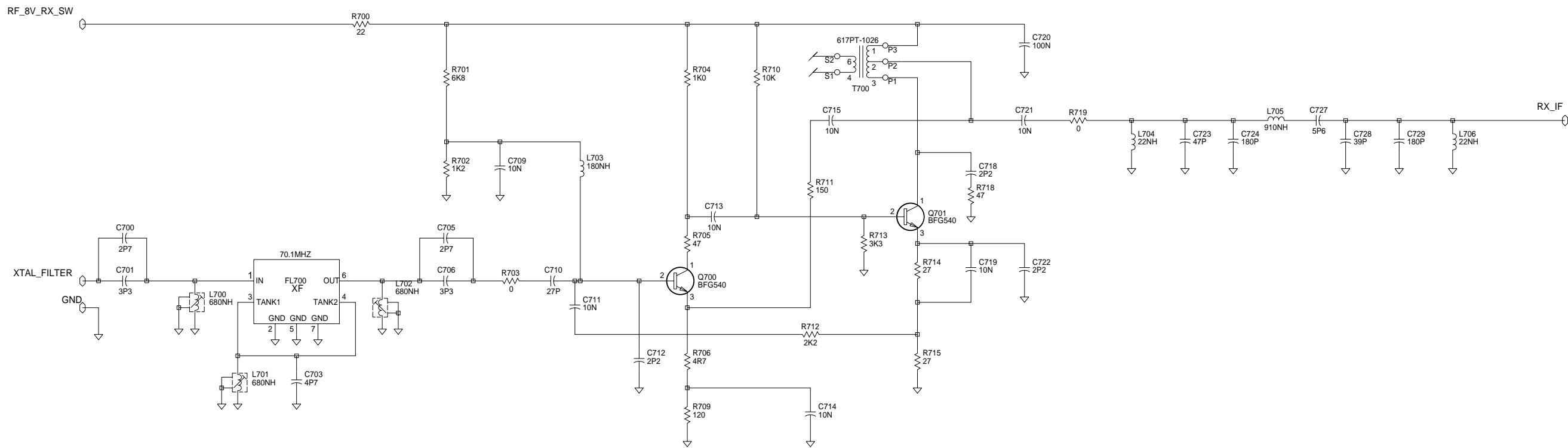


© TAIT ELECTRONICS

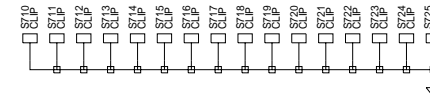
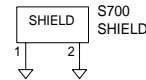
**TB8000 MIXER**

IPN: 220-02025-05    ISSUE: A    ID: 2.S.C. 6

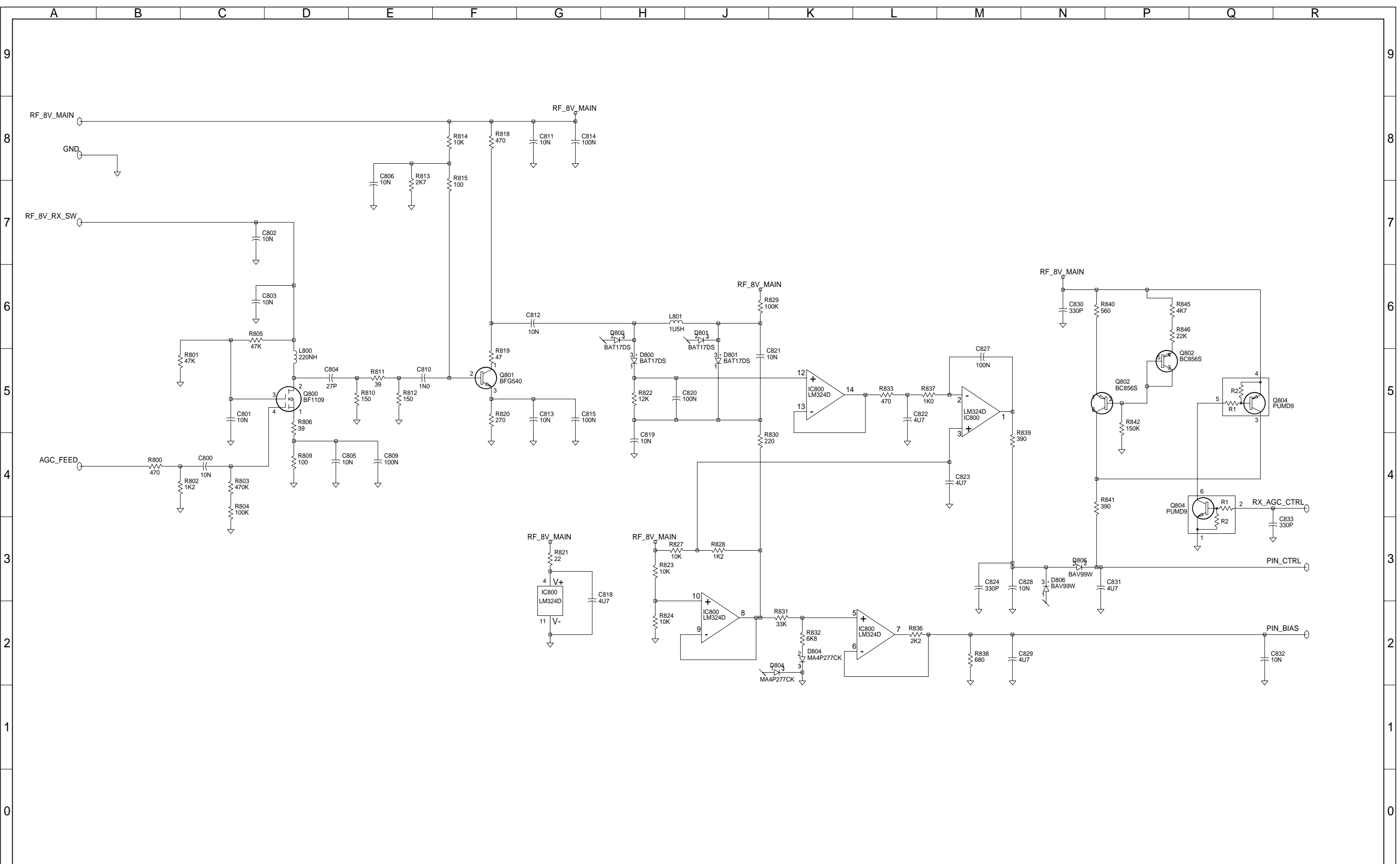
PROJECT: TB8000    DESIGNER: SH    FILE NAME: 0202505a    FILE DATE: 6-Mar-03    NO. SHEETS: 15



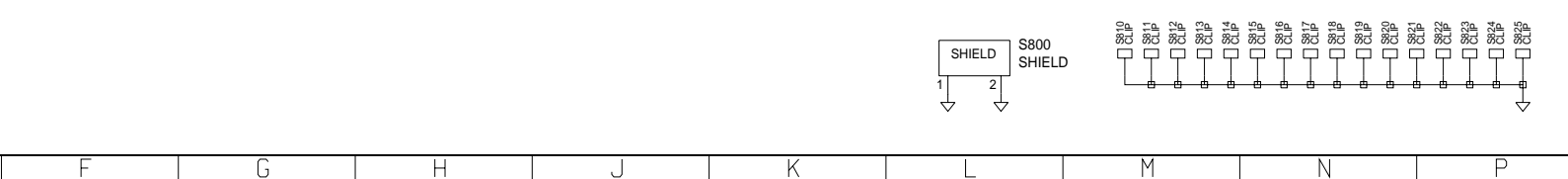
05A	DCO	02025-005	CJK	SH		06/03/03
04A	DCO	02025-004	CJK	SH		28/11/02
03A	DCO	02025-002 & 003	CJK	SH		17/10/02
02A	DCO	02025-001	CJK	SH		30/08/02
01B	SCHEMATICS REDRAWN		PAUL G			20/6/02
01A	CLONED FROM 226-00252-01		PAUL G			12/06/02
REV/ISS	AMENDMENTS		DRAWN	CHKD	D.O.	APVD DATE



© TAIT ELECTRONICS			
TB8000 IF			
IPN:	ISSUE:	FILE NAME:	ID:
220-02025-05	A	2.SC. 7	
PROJECT:	DESIGNER:	FILE DATE:	NO. SHEETS:
TB8000	SH	0202505a 6-Mar-03	15



05A	DCO 02025-005	CJK	SH		06/03/03
04A	DCO 02025-004	CJK	SH		28/11/02
03A	DCO 02025-002 & 003	CJK	SH		17/10/02
02A	DCO 02025-001	CJK	SH		30/08/02
01B	SCHEMATICS REDRAWN	PAUL G			20/06/02
01A	CLONED FROM 226-00252-01	PAUL G			12/06/02
REV/ISS	AMENDMENTS	DRAWN	CHKD	D.O.	APVD DATE

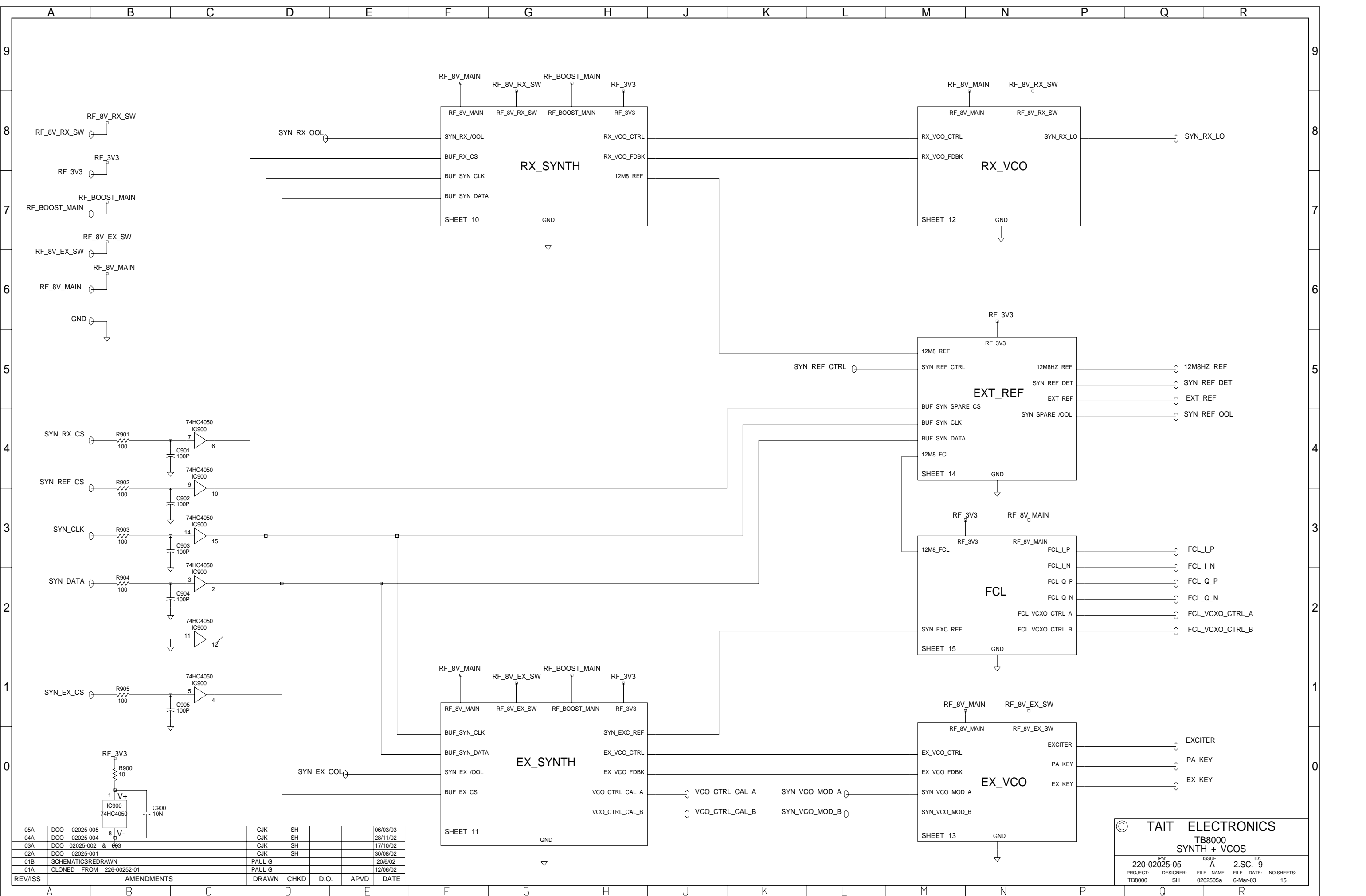


© TAIT ELECTRONICS

TB8000  
AGC

IPN: 220-02025-05      ISSUE: A      ID: 2.S.C. 8

PROJECT: TB8000      DESIGNER: SH      FILE NAME: 0202505a      FILE DATE: 6-Mar-03      NO. SHEETS: 15

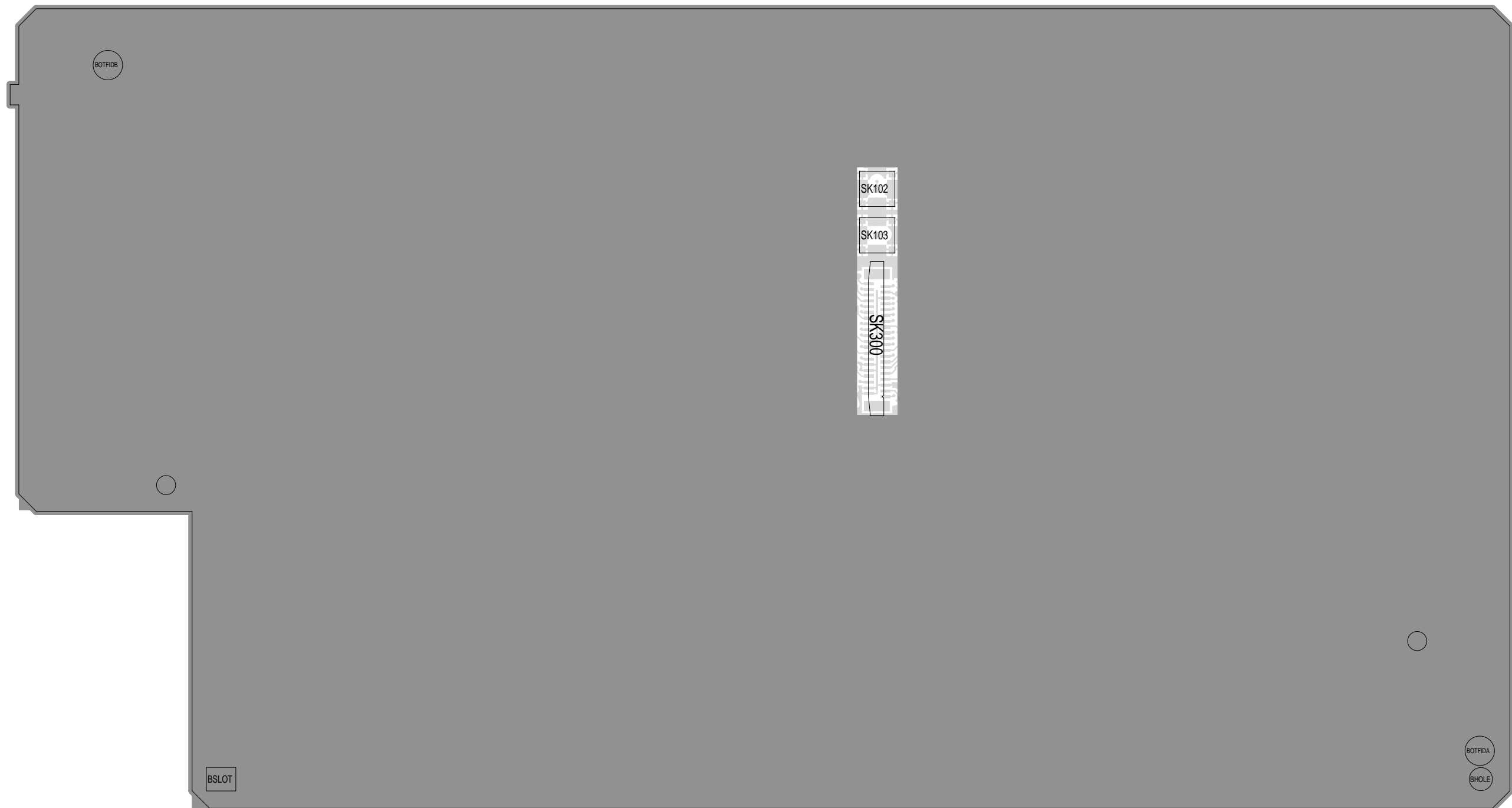


05A	DCO	02025-005	CJK	SH		06/03/03
04A	DCO	02025-004	CJK	SH		28/11/02
03A	DCO	02025-002 & 003	CJK	SH		17/10/02
02A	DCO	02025-001	CJK	SH		30/08/02
01B	SCHEMATICS	REDRAWN	PAUL G			20/6/02
01A	CLONED	FROM 226-00252-01	PAUL G			12/06/02
REV/ISS	AMENDMENTS		DRAWN	CHKD	D.O.	APVD DATE

© TAIT ELECTRONICS  
 TB8000  
 SYNTH + VCOS  
 IPN: 220-02025-05 ISSUE: A ID: 2.SC. 9  
 PROJECT: TB8000 DESIGNER: SH FILE NAME: 0202505a FILE DATE: 6-Mar-03 NO.SHEETS: 15







TAIT ELECTRONICS	IPN: 220-02025-05	ISS: A	ID: 4.BA	DATE: 6 Mar 2003
RECITER4_RF PCB LAYOUT - BOTTOM SIDE				